

## Design

The AB Seals VP is a vee pack piston seal for medium duty applications offering excellent performance and long life even under difficult operating conditions such as pressure surges, vibration and some misalignment. The seal consists of a male and female adaptor and many vee rings as per our choice. It has grooves across one face to ensure equal pressure to the sealing edges of the vee ring. The female adaptor uses a hard rubberized fabric to support the vee rings and protect them from extrusion damage. At high pressure the lips of the adaptor acts as a secondary seal.



For information about other material options available, please contact your local AB Seals office.

### OPERATING RANGE

Technical details	Metric	Inch
Maximum Speed	0.5m/sce	1.5 ft/sec
Temperature Range	-30 to +100	-22 F + 212 F
Maximum Pressure	400 bar	6,000 P.S.I

### MATERIAL

- Fabric reinforced rubber
- NBRC/VKMC

### APPLICATION

- Mobile hydraulics
- Machine tools
- Injection cylinder
- Hydraulic presses
- Lift platforms

### Maximum Extrusions Gap

Allowable Extrusion Gap is  
0.1 to .3 mm

### Surface Roughness

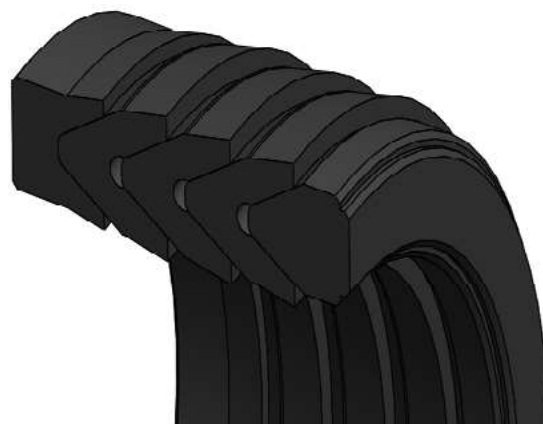
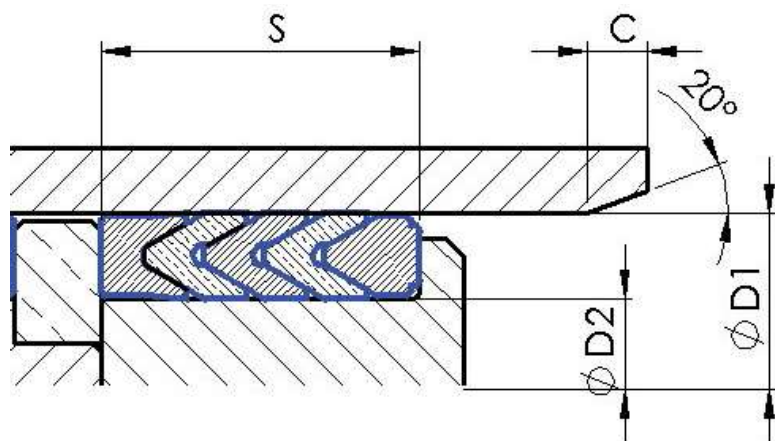
Technical details	Ra (um)	Rt (um)
Sliding Surface	0.4	4
Base Groove	1.6	10
Side Groove	3.2	16

### Chamfers & Radii

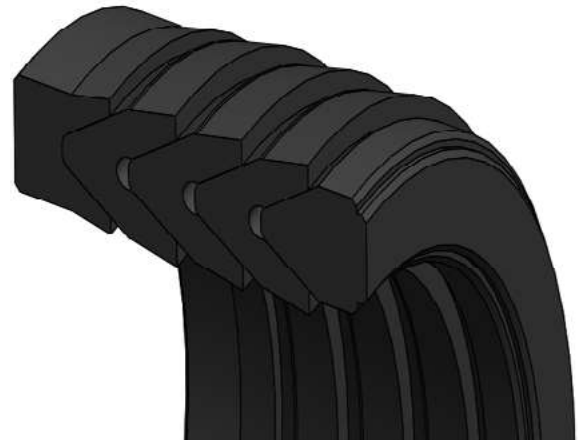
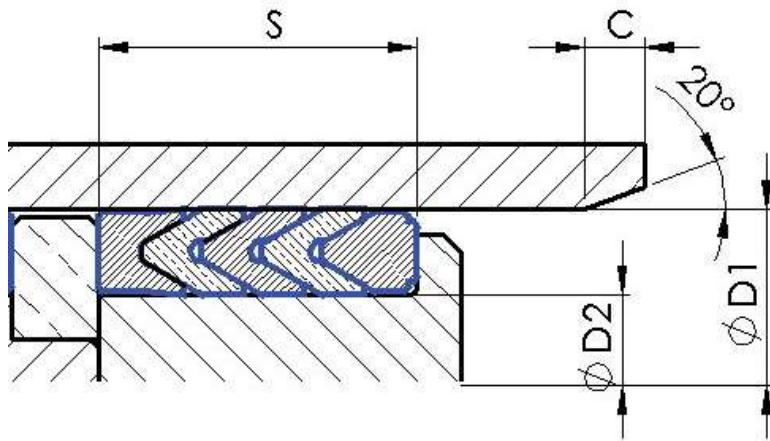
Chamfer 3.75 - 10.5  
Radii 0.4 - 8 mm

### Ordering Code:

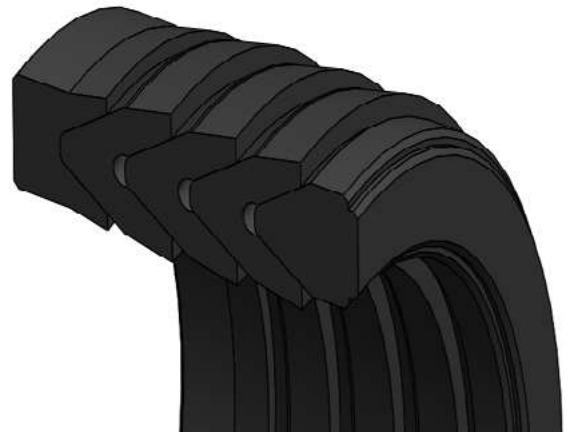
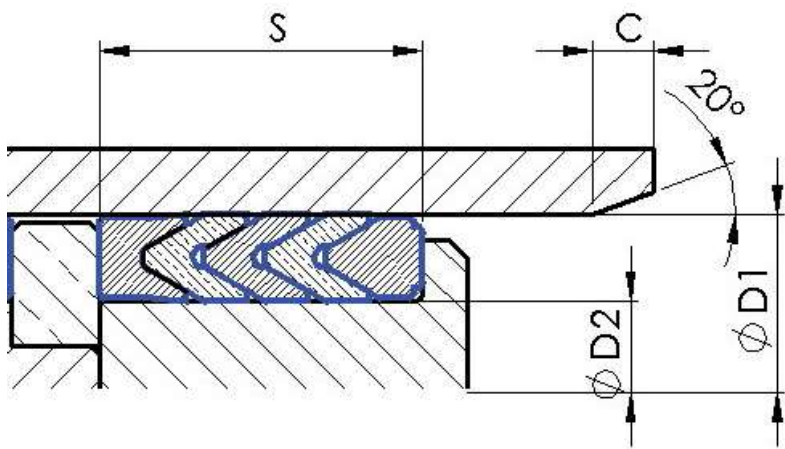
- Example For Temperature -30 to 100, And Tube Bore 50mm - VP5035225
- For Temperature -30 to 200, And Tube Bore 50mm - VPV5035225
- For information about other material options available, please contact your local AB Seals office.
- For Requirement of other sizes contact us.



ØD1	ØD2	S	PART NO.
30	20	18.5	VP3020185
32	22	18.5	VP3222185
40	25	22.5	VP4025225
40	28	22.5	VP4028225
44	32	22.5	VP4432225
46	30	22.5	VP4630225
48	36	22.5	VP4836225
50	35	22.5	VP5035225
52	40	22.5	VP5240225
60	45	22.5	VP6045225
62	52	22.5	VP6252225
65	50	22.5	VP6550225
71	56	22.5	VP7156225
75	60	22.5	VP7560225
80	63	22.5	VP8063225
85	65	22.5	VP8565225
85	70	22.5	VP8570225
90	75	22.5	VP9075225
95	80	22.5	VP9580225
100	85	22.5	VP10085225
105	90	22.5	VP10590225
115	100	30	VP11510030
125	110	30	VP12511030
140	115	30	VP14011530



ØD1	ØD2	S	PART NO.
140	120	34	VP14012034
140	125	34	VP14012534
146	136	34	VP14613634
152	127	34	VP15212734
155	140	34	VP15514034
160	130	34	VP16013034
180	150	40	VP18015040
180	160	40	VP18016040
200	170	40	VP20017040
200	180	40	VP20018040
210	185	40	VP21018540
221	190	40	VP22119040
230	200	40	VP23020040
230	210	40	VP23021040
240	220	40	VP24022040
255	225	40	VP25522540
270	230	40	VP27023040
270	240	40	VP27024040
280	250	40	VP28025040
295	265	40	VP29526540
300	260	40	VP30026040
320	275	40	VP32027540
320	290	40	VP32029040
335	300	40	VP33530040



ØD1	ØD2	S	PART NO.
350	320	40	VP35032040
380	340	40	VP38034040
380	350	40	VP38035040
395	345	40	VP39534540
420	380	40	VP42038040
450	410	40	VP45041040
460	420	40	VP46042040
490	450	40	VP49045040
497	455	40	VP49745540
547	525	40	VP54752540
570	530	40	VP57053040
765	700	40	VP76570040